

# ***CDCE906/CDCE706 Programming Evaluation Module***

*User's Guide*



# Contents

---

---

---

<b>1</b>	<b>Introduction</b> .....	<b>5</b>
<b>2</b>	<b>Quick Start</b> .....	<b>6</b>
<b>3</b>	<b>EVM Hardware</b> .....	<b>7</b>
	3.1 Board View and Connector Location .....	7
	3.2 Hardware Configuration .....	7
<b>4</b>	<b>TI Pro-Clock™</b> .....	<b>9</b>
	4.1 CDCE906-706 SMBus Interface .....	9
	4.2 CDCE906-706 Programming Assistant.....	10
	4.3 Tutorial .....	12
	4.4 Software Installation.....	13
<b>5</b>	<b>FAQ</b> .....	<b>13</b>
<b>6</b>	<b>Parts List</b> .....	<b>13</b>
<b>7</b>	<b>Board Layout and Schematic</b> .....	<b>14</b>
	<b>Important Notices</b> .....	<b>18</b>

---

## List of Figures

1	CDCE906/CDCE706 Functional Block Diagram.....	6
2	Board View .....	7
3	CDCE906-706 SMBus Interface .....	9
4	Programming Assistant .....	11
5	Top Silkscreen .....	14
6	Top Signal .....	15
7	GND Layer 2 .....	15
8	VCC Layer 3 .....	15
9	Bottom Layer.....	16
10	Bottom Silkscreen .....	16
11	Schematic .....	17

## List of Tables

1	Parts List .....	13
---	------------------	----

## **CDCE906/CDCE706 Programming Evaluation Module**

---

---

---

This user's guide explains how to use the CDCE906/CDCE706 programming evaluation module. An easy to use socket is provided on the EVM to make a fast programming of samples or small production quantities possible. There is an another EVM available for the purpose of performance measurements and evaluation, called CDCE906/CDCE706 Performance Evaluation Module.

If you need assistance with this device, email: [clocks\\_apps@list.ti.com](mailto:clocks_apps@list.ti.com)

### **1 Introduction**

The CDCE906/CDCE706 is one of the smallest and powerful PLL synthesizer / multiplier / divider available today. Despite its small physical outlines, the CDCE906/CDCE706 is the most flexible. It has the capability to produce an almost independent output frequency from a given input frequency.

The input frequency can be derived from a LVCMOS, a differential input clock, or a single crystal. The appropriate input waveform can be selected via the SMBus data interface controller.

To achieve an independent output frequency the reference divider M and the feedback divider N for each PLL can be set to values from 1 up to 511 for the M-Divider and from 1 up to 4095 for the N-Divider. The PLL-VCO (voltage controlled oscillator) frequency than is routed to the free programmable output switching matrix to any of the six outputs. The switching matrix includes an additional 7-bit post-divider (1-to-127) and an inverting logic for each output.

The deep M/N divider ratio allows the generation of zero ppm clocks from e.g., a 27-MHz reference input frequency.

The CDCE906/CDCE706 includes three PLLs of those one supports SSC (spread-spectrum clocking). PLL1, PLL2, and PLL3 are designed for frequencies up to 300 MHz and optimized for zero-ppm applications with wide divider factors.

PLL2 also supports center-spread and down-spread spectrum clocking (SSC). This is a proven method to effectively reduce the energy for the selected frequency range. The electro-magnetic interference (EMI) will be significantly reduced. Also, the slew-rate controllable (SRC) output edges minimize EMI noise.

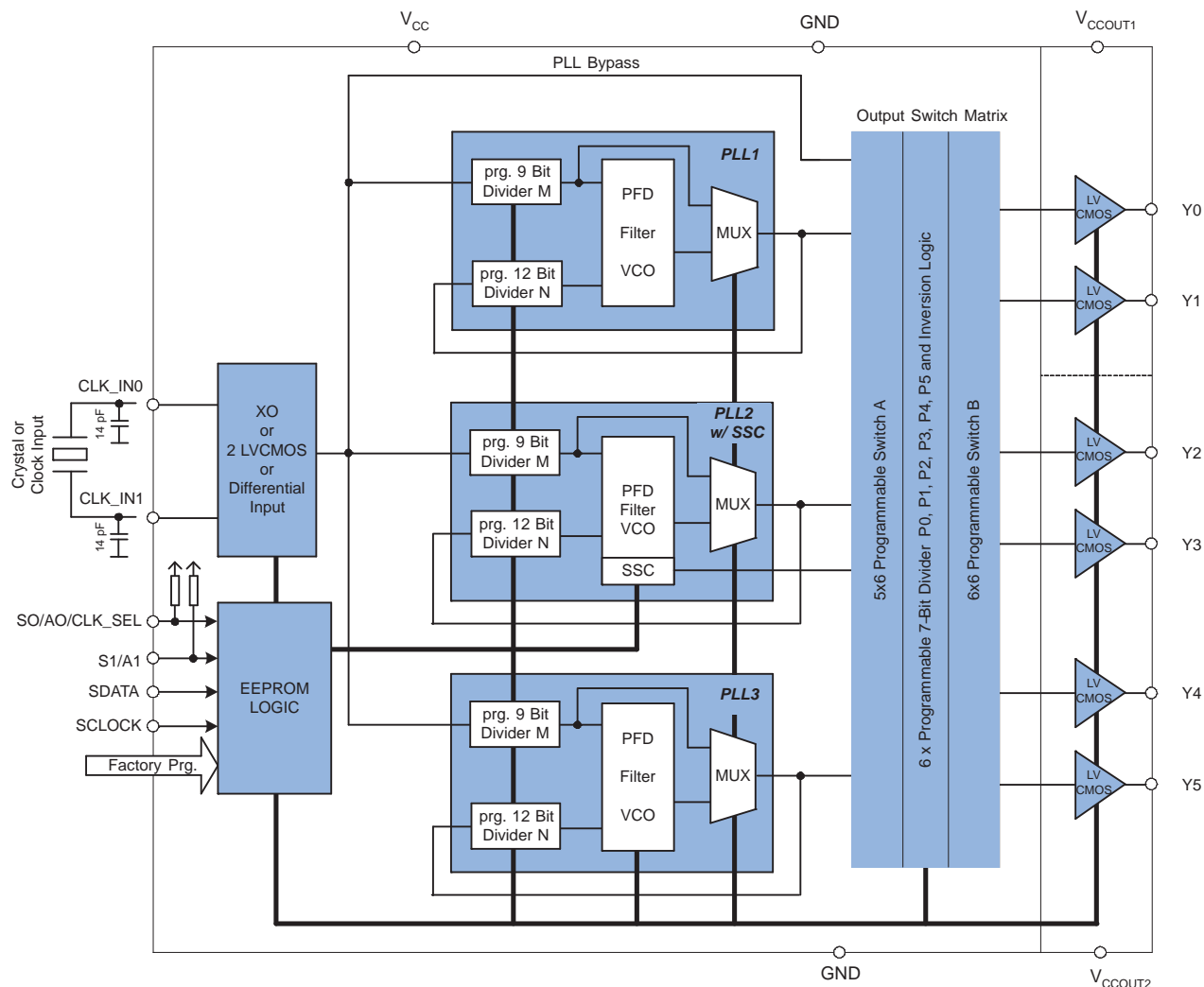
Based on the PLL frequency and the divider settings, the internal loop filter components will be automatically adjusted to achieve high stability and optimized jitter transfer characteristic of the PLL.

The device supports non-volatile EEPROM programming for easy customized applications. It is pre-programmed with a factory default configuration (see [Figure 1](#)) and can be re-programmed to a different application configuration before it goes onto the PCB or re-programmed by in-system programming. A different register setting is programmed via the serial SMBus interface.

Two free programmable inputs, S0 and S1, can be used to control for each application the most demanding logic control settings (outputs disable to low, outputs 3-state, power down, PLL bypass, etc).

The CDCE906/CDCE706 has three power supply pins, VCC, VCCOUT1, and VCCOUT2. VCC is the power supply for the device. It operates from a single 3.3-V supply voltage. VCCOUT1 and VCCOUT2 are the power supply pins for the outputs. VCCOUT1 supplies the outputs Y0 and Y1 and VCCOUT2 supplies the outputs Y2, Y3, Y4, and Y5. Both output supplies can be 2.3 V to 3.6 V. The output works even at 1.7V VCCOUT. However, some limitations apply at VCCOUT below 2.3V.

The CDCE906/CDCE706 is characterized for operation from 0°C to 70°C/–40°C to 85°C.



**Figure 1. CDCE906/CDCE706 Functional Block Diagram**

### Related Documentation From Texas Instruments

- *CDCE906, Programmable 3-PLL Clock Synthesizer/Multiplier/Divider* data sheet ([SCAS814](#))
- *CDCE706, Programmable 3-PLL Clock Synthesizer/Multiplier/Divider* data sheet ([SCAS815](#))

## 2 Quick Start

Press the socket in the middle of the EVM down and insert the CDCE906/CDCE706 into the socket. Release the socket to fix the device.

- Connect 3.3 V to P1 and P2
- Make a user defined setup with the *TI Pro Clock Software* (additional information can be found in section 4)
- Connect the EVM with the PC via a parallel cable
- Program the CDCE906/CDCE706 with the *Write* button or the *auto write* function of the *CDCE906-E706 SMBus interface*
- Connect a reference source with the correct input frequency and a minimum swing of 1.32 V to J2
- Check the setup with a high impedance probe at the test points (TP0–TP5 for Y0–Y5)

### 3 EVM Hardware

#### 3.1 Board View and Connector Location

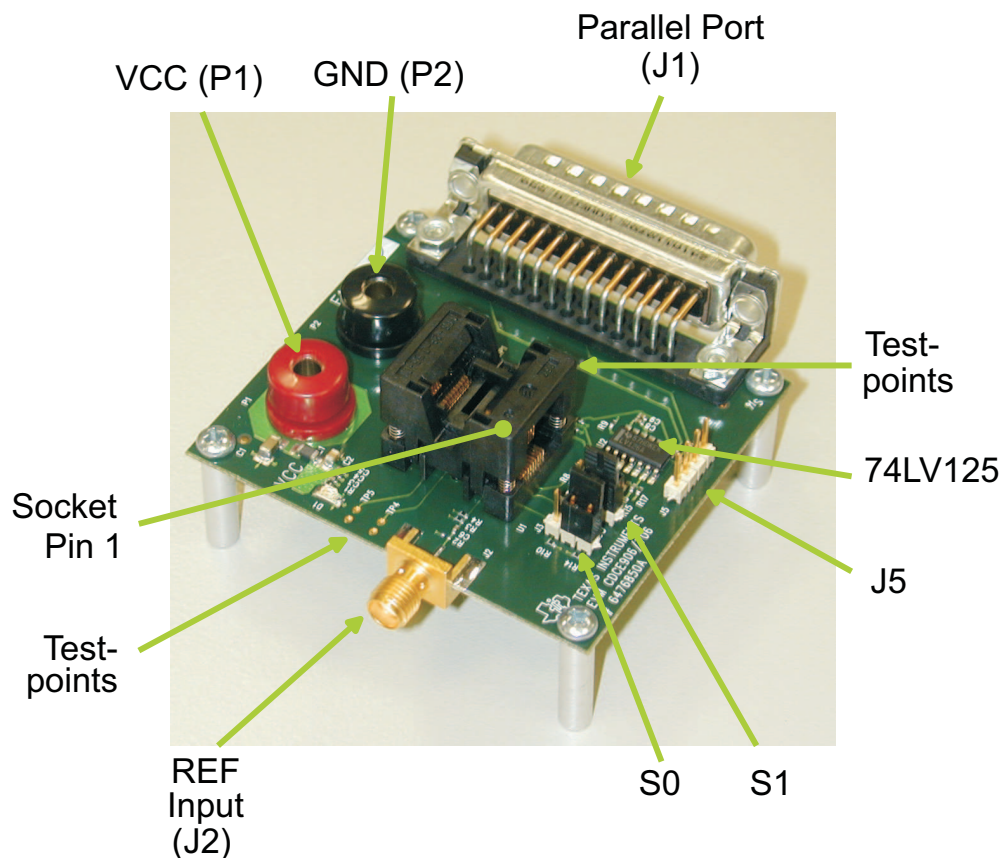


Figure 2. Board View

#### 3.2 Hardware Configuration

This section describes the board configuration using on-board jumpers and solder-bridges as well as the SMBUS interface.

##### 3.2.1 Power Supply (P1, P2)

Use a stabilized external power supply for the EVM board.

- Supply 3.3 V  $\pm$  0.3 V on P1
- Connect GND to P2

**WARNING**  
 Never supply more than 3.6 V on P1 and P2.

##### 3.2.2 Onboard Jumper (J3 and J4)

Use Jumper J3 to set the user programmable control input S0 to low or high.

Use Jumper J4 to set the user programmable control input S1 to low or high.

*Default setting: J3 and J4 are not used.*

---

**Note:** S0 and S1 are logic high due to their internal pull-up resistors if J3 and J4 are not used.

---

### 3.2.3 Programming Interfaces (J1, J5)

To enhance the flexibility and function of the clock synthesizer, a two-signal serial interface is provided. It follows the SMBus specification Version 2.0, which is based upon the principals of operation of I<sup>2</sup>C. More details of the SMBus specification can be found at <http://www.smbus.org>.

Through the SMBus, various device functions, such as individual clock output buffers, can be individually enabled or disabled. The registers associated with the SMBus data interface initialize to their default setting, written in the EEPROM, upon power-up and therefore using this interface is optional. Clock device register changes are normally made upon system initialization, if any are required. There are two ways to program the device externally.

- Connect the parallel port cable to PC and EVM parallel port. This needs the *TI Pro Clock Software* (see section 4)
- By external pattern generator connected to J5 (it is not possible to detect an acknowledge at J5)

---

**Note:** The shield of the parallel cable should be connected to both cable plugs.

---

### 3.2.4 Crystal, Differential or LVCMOS Input (J2)

The CDCE906/CDCE706 can use a crystal, a differential, or a LVCMOS input signal. The CDCE906/E706 programming EVM makes possible the functional testing of the device for all three input configurations. This is done by providing a single-ended clock to CLK\_IN0. CLK\_IN1 is biased to V<sub>cc</sub>/2, which offers the option to test the differential input with a single-ended clock provided to J2.

*Default settings: LVCMOS Input at CLK\_IN0.*

### 3.2.5 LVCMOS Outputs (TP0 –TP5)

The CDCE906/CDCE706 drives up to six LVCMOS outputs. Test points are available on the board for a functional test after programming the device. Every test point consists of a signal and a GND pad for fast and easy testing with a high impedance probe.



## 4 TI Pro-Clock™

TI Pro-Clock™ is the evaluation software for the CDCE906 and the CDCE706. The software contains the *CDCE906-706 SMBus Interface* and the *CDCE906-706 Programming Assistant*. In the future, the software will be expanded for new devices. The software runs under Windows 2000, XP, and XP\*64. A quick installation is required prior to use. See Section 4.4 *Software Installation*.

The *CDCE906-706 SMBus Interface* allows the user direct access to all programmable features of the CDCE906/CDCE706 via the parallel port of the PC.

The *CDCE906-706 Programming Assistant* helps the user to find a proper device setup by choosing the input and output settings.

### 4.1 CDCE906-706 SMBus Interface

The SMBus Interface is an easy-to-use programming environment and supports many features. It provides direct access to the register and the EEPROM of the CDCE906/CDCE706 and therefore makes evaluation easy.

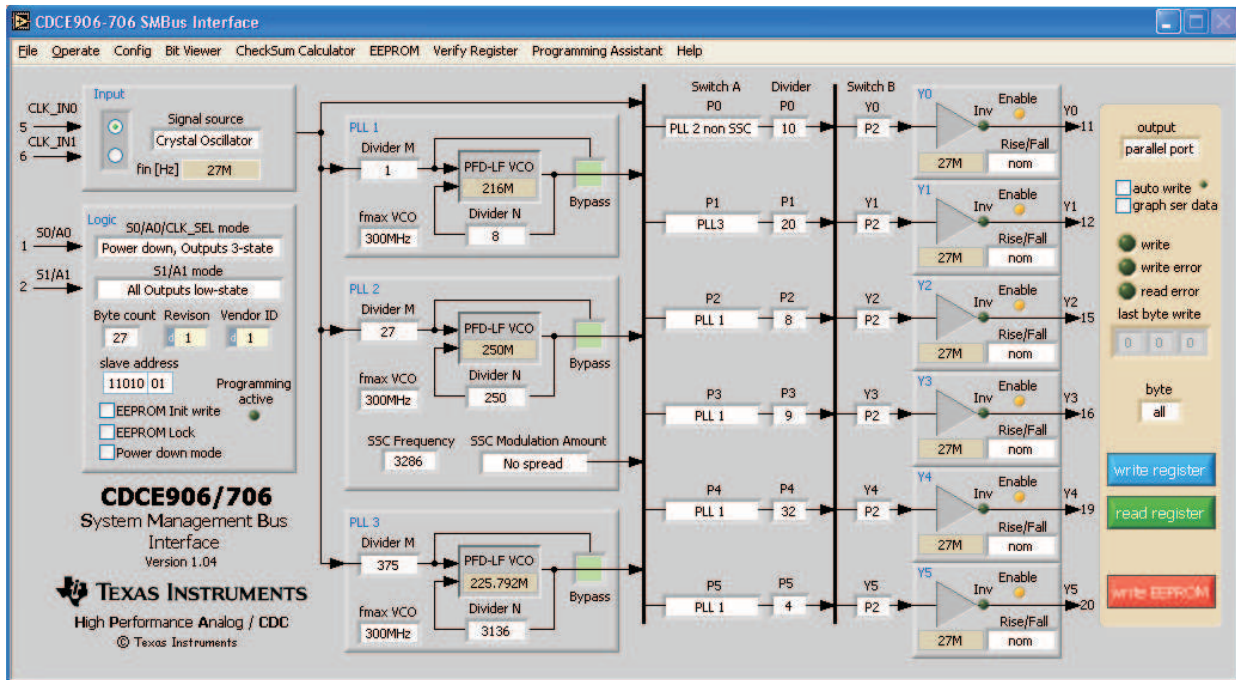


Figure 3. CDCE906-706 SMBus Interface

#### 4.1.1 Quick Start Instructions

The following steps are necessary for device programming after TI Pro-Clock™ has been installed on your PC:

1. Power up the CDCE706/CDCE906EVM.
2. Connect the EVM and the PC with a parallel cable.
3. Start the TI Pro-Clock™ software.
4. Click the button CDCE906/CDCE706.
5. Make a user-defined setup.
6. Click the *write register* button.

### 4.1.2 Main Screen

The main screen of the CDCE906/CDCE706 SMBUS interface as shown in [Figure 3](#) allows direct control to all programmable features of the CDCE906/CDCE706. All programmable PLL parameters, like divider settings, SSC settings as well as all input and output settings, can be controlled. Clicking the *write register* button transfers the setup to the CDCE906/CDCE706EVM. The parameter byte selects if the whole setup (all bytes) or only the selected byte will be updated in the CDCE906/CDCE706 control register.

By selecting *auto write* in the upper right corner, the CDCE906/CDCE706 SMBus control register gets an update after each change in the setup of the *CDCE906-706 SMBus Interface*. If *graph ser data* is selected, the bit pattern of SCLK and SDATA is shown on a screen.

Click *read register* to load the current control register setup of the CDCE906/CDCE706 into the SMBus Interface. The *write EEPROM* button updates the CDCE906/706 control register and writes the updated control register contents into the EEPROM.

After the SSC settings were changed, PLL 2 must get a reset by setting the PLL into bypass mode for a short time. This is done automatically by the SMBus interface. Due to this, there will be multiple write cycles on the SMBUS after pressing the *write register* or *write EEPROM* button.

A yellow *write* LED indicates an active writing cycle. If the LEDs *write error* or *read error* are switching from green to red, a write/read error occurred. Check the EVM and the parallel cable and try again.

A *Bit Viewer* is available in the menu bar. This feature shows the current setup of the SMBus Interface bit per bit. This allows an easy evaluation of the register setting that is currently set in the SMBus interface.

It is possible to lock the EEPROM permanently. This avoids undesirable reprogramming of the EEPROM. Clicking *EEPROM* → *EEPROM lock* in the menu bar permanently locks the EEPROM. After locking the EEPROM, it cannot be unlocked.

After pressing the *Verify Register* button (also located in the menu bar), the current SMBus Interface setting is compared bit-wise with the CDCE906/CDCE706 control register that is connected to the PC. All bits of the control register that are different to the SMBus Interface setting are shown in a table. The bits, which show either 0 or 1, represent the control register setting of the CDCE906/CDCE706.

After the SSC settings were changed, PLL 2 must be reset by setting the PLL into bypass mode for a short time. This is done automatically by the SMBus interface.

Click *Programming Assistant* in the menu bar to switch to the *CDCE906-706 Programming Assistant*, which helps to create a setup for the CDCE906/CDCE706 by choosing the input and output settings.

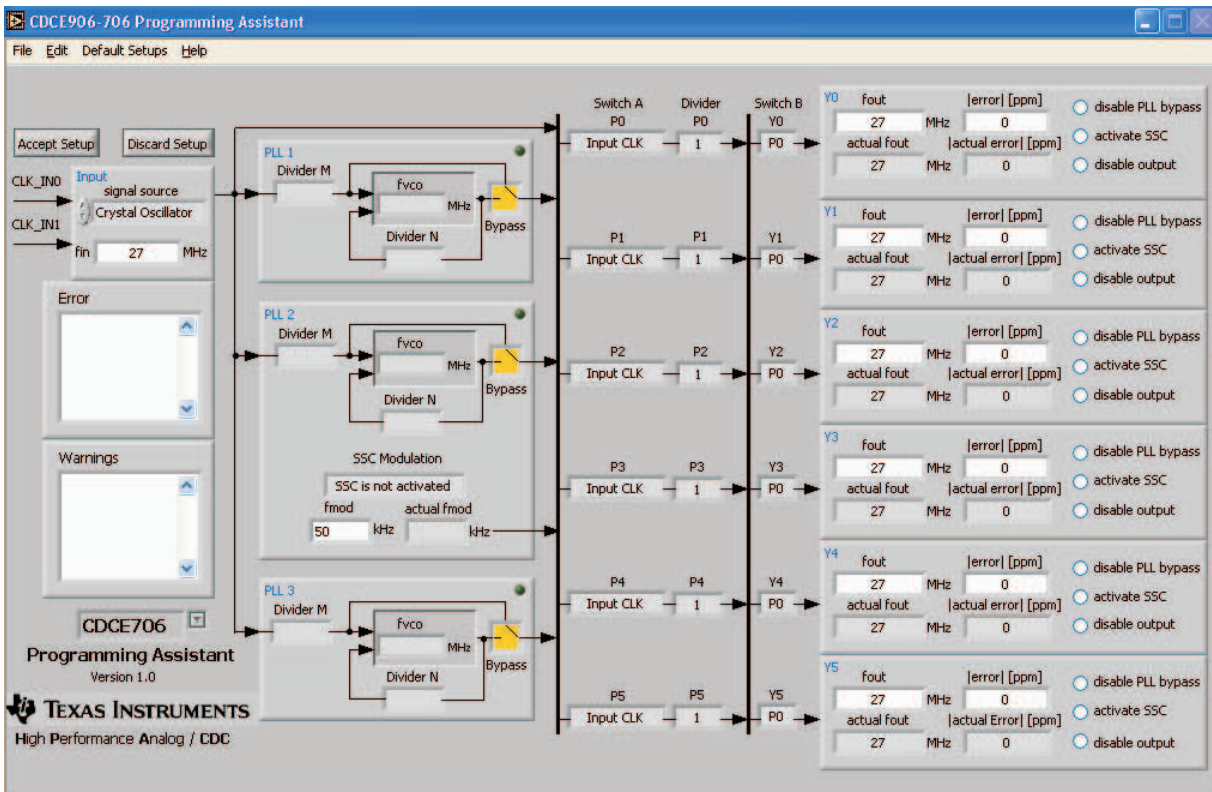
### 4.1.3 Save/Load Setup

Saving and loading the setup of the *CDCE906-706 SMBus Interface* can be done in four different ways. Click *File*, and select one of the following options to save or load the current setup.

1. *Save Setup/Load Setup* - Saves/loads the setup as/from an encrypted file.
2. *Export \*.txt/Import \*.txt* - Exports/imports the setup as/from a text file. Use this format if you want to view the setup with a text editor later.
3. *Export \*.csv/Import \*.csv* - Exports/imports the setup as/from a comma-delimited file. Use this format if you want to view the setup with Microsoft™ Excel later
4. *Export Intel Hex \*.hex/Import Intel Hex \*.hex* - Exports/imports the setup as/from Hexadecimal Object File Format. Usually programmers can directly read-in this file format.
5. *Configuration Code Release Sheet* - Use this option if you want to order factory-programmed EEPROM specials of the CDCE906/CDCE706. Contact your regional marketing or sales representative for further information.

## 4.2 CDCE906-706 Programming Assistant

The *CDCE906-706 Programming Assistant* is a useful feature, which creates a setup for the CDCE906 or the CDCE706. The setup can be transferred to the serial interface software, by selecting *Accept Setup*. Final setup adjustment and CDCE906/CDCE706 programming is done with the *CDCE906-706 SMBus Interface*.



**Figure 4. Programming Assistant**

The Programming Assistant starts with its own default setup. The default setup of the Programming Assistant is different to the default setup of the CDCE906/CDCE706. This is why, the Programming Assistant has a simple startup setup, which makes it easy to create a new user-defined setup. From this default setup, different parameters can be edited to create a user setup. All dividers, the VCO frequency, the SSC modulation frequency, the switch A/B settings, as well as the actual output frequency, and the actual error of all outputs, are calculated by defining the following parameters:

signal source	Choose among crystal oscillator, LVCMOS, and differential clock source
fin	Choose from 1 MHz to 167/200 MHz for CDCE906/CDCE706 LVCMOS/differential input and from 8 MHz to 54 MHz for crystal oscillator
CDCE906/ CDCE706 Switch	Choose if a CDCE706 or a CDCE906 setup is provided
SSC Modulation	Choose between no modulation and different center and down-spread modulations provided by PLL 2
fmod	Choose a modulation frequency for SSC; <i>actual fmod</i> shows the closest possible modulation frequency
fout	Choose the output frequency for Y0–Y5; <i>actual fout</i> displays the closest possible output frequency with an error in frequency smaller than <i> error </i>
error	Choose the maximum allowed error between fout and actual fout; <i>actual error</i> displays the error of current frequency <i>actual fout</i>
disable PLL bypass	If the input frequency is a multiple of fout, fout is derived directly from fin. Click <i>disable PLL bypass</i> if Yx should be derived from a PLL.
activate SSC	Choose which outputs will have SSC. All outputs with SSC activated must be derived from the same PLL.

disable output      Choose which outputs will be disabled. The *Switch A* will be set to input clock and P Divider will be set to 1 for each disabled output.

An Error is displayed, if the setup cannot be provided by the CDCE906/CDCE706

A Warning is displayed if something in the setup needs special attention from the user.

The *Accept Setup* button transfers the setup to the *CDCE906-706 SMBus interface*, where an individual adjustment of the setup is possible. This function is blocked if an error in the setup occurs. *Discard Setup* returns to the SMBus Interface without transferring the setup.

### 4.3 Tutorial

This section contains a step-by-step tutorial for creating a user-defined setup and programming the CDCE906/E706. The 27-MHz crystal of the EVM is used for reference. A 64-MHz CPU clock, different audio sample clocks for 24-kHz audio rate, a 27-MHz clock for an MPEG/AC-3 Audio Dec, and an additional 60-MHz clock is provided. The tutorial contains instructions and comments explaining the functionality of the software.

#### Step-by-step instruction:

1. Start TI Pro-Clock™.
2. Select CDCE906/E706.
  - The *CDCE906-706 SMBus Interface* is started.
3. Select Programming Assistant in the menu bar.
  - The *CDCE906-706 Programming Assistant* is started.
4. Select CDCE906 Default Setting from Default Setup in the menu bar.
  - All Outputs are in use. All PLLs are in bypass mode.
5. Click *disable output* for Y1-Y5.
  - Only Y0 is in use. All PLLs are in bypass mode.
6. Set fout of Y0 to 64 MHz.
  - Y0 has an output frequency of 64 MHz; PLL 1 is set up automatically.
7. Click *disable output* for Y1.
8. Set fout of Y1 to 9.216 MHz.
  - Y1 is set to 9.216 MHz; PLL 2 in use by Y1.
9. Click *disable output* for Y2.
10. Set fout of Y2 to 18.432 MHz.
  - 18.432 MHz is set to Y2; PLL 1 is in use by Y1 and Y2 because Y1 and Y2 are derived from the same PLL (groups of outputs are preferred to a single output).
11. Click *disable output* for Y3.
12. Set fout of Y3 to 6.144 MHz.
  - Y1, Y2, and Y3 are derived by PLL 1.
13. Click *disable output* for Y4.
14. Set fout of Y4 to 27 MHz.
  - 27 MHz is provided to Y4 by the input clock; PLL 3 is still not in use.

The 27 MHz of Y4 can be provided by a PLL if additional jitter cleaning is necessary:

1. Click *disable PLL bypass* at Y4.
  - PLL3 now provides 27 MHz; additional jitter cleaning is possible.
2. Click *disable output* at Y5.
3. Set fout of Y5 to 60 MHz.
  - Error message *The error for fout of Y5 is not procurable!* appears; this is why no PLL is left to

derive 60 MHz for Y5.

4. Set *error* of Y5 to 50000 ppm.
  - Y5 now provides 59.4 MHz ; the error compared to 60 MHz is 10000 ppm.
5. Click *Accept Setup*.
  - The CDCE906-706 Programming Assistant is closing; the CDCE906-706 SMBus Interface opens, the setup of the Programming Assistant is transferred to the SMBus Interface.
6. Click *write*.
  - The SMBus interface transfers the setup to the CDCE906/E706.

#### 4.4 Software Installation

To install the TI Pro-Clock™, perform the following steps:

1. Download TI Pro-Clock™ from www.ti.com.
2. Run program setup.exe.
3. Reboot your computer.
4. Run the Software from Start → Programs → Texas Instruments → TI Pro Clock.

## 5 FAQ

### The CDCE906/CDCE706 register cannot be programmed. What is wrong?

Check if the parallel port is connected to your PC and your EVM. Check if correct voltage is applied. Check if the multiuse pins 1 and 2 are used as address bits. Set the correct address via J10 and J12 if this applies.

### There is coupling between neighboring outputs, if the output frequency is checked with a probe. Is this device related?

No - the coupling comes from the socket, which is optimized for ease of use and not for signal integrity. Use the *CDCE906/CDCE706 Performance Evaluation Module* for signal integrity evaluation.

## 6 Parts List

Table 1. Parts List

Quantity	Reference	Part	Manufacturer	Part Number
4	B1–B4	STAND OFF		
4		SCREW		
1	C1	22 $\mu$ F	Murata	GRM32ER71A226KE20L
1	C2	10 $\mu$ F	Murata	GRM31CR70J106KA01L
1	C3	1000 pF	Panasonic	ECJ-0EB1E102K
4	C4, C8, C11, C12	100 n	Panasonic	ECJ-0EB1A104K
1	C5	1 $\mu$ F	Panasonic	ECJ-0EB0J105M
1	C6	10 n	Panasonic	ECJ-0EB1E103K
2	C7, C10	10 p	Panasonic	ECD-G0E100C
1	C9	1000 P	Panasonic	ECJ-0EB1E101K
1	D1	GREEN	Fairchild Semi	QTLP651C-IG
1	J1	PARALLEL PORT	SPC Technology	DB-25P-PCB
1	J2	SMA	Johnson Comp	142-0701-841
1	J3, J4	HDR3		Header 3 pos, 0.100 ctr
2	J5	HDR4		Header 4 pos, 0.100 ctr
1	L1	75 $\Omega$ at 100 MHz	Murata	BLM31PG500SN1L



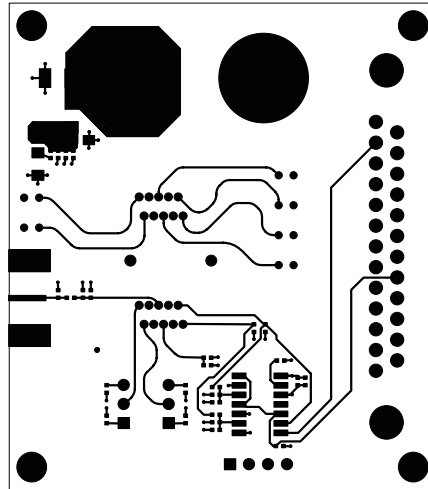


Figure 6. Top Signal

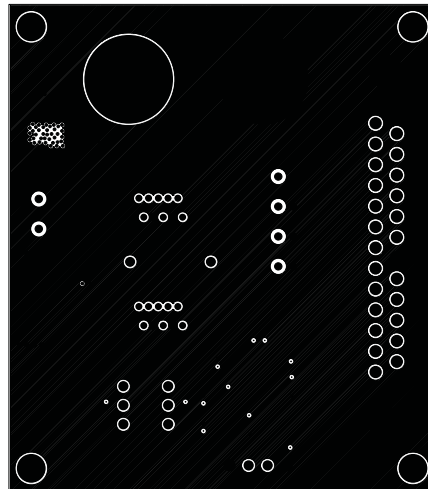


Figure 7. GND Layer 2

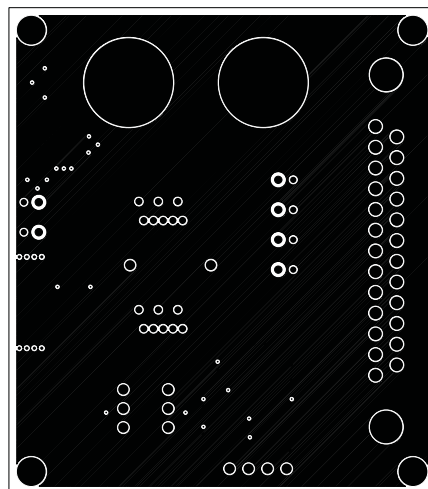
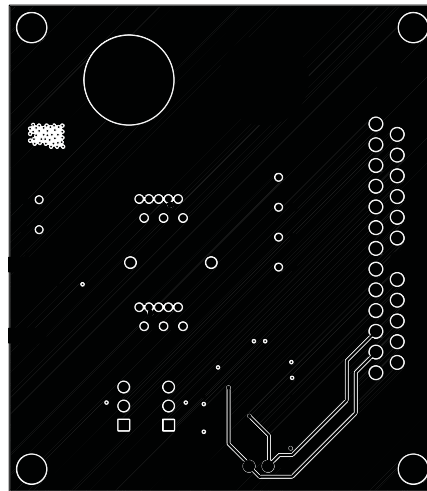
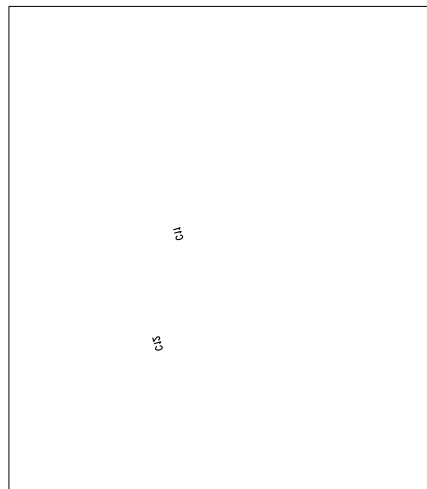


Figure 8. VCC Layer 3



**Figure 9. Bottom Layer**



**Figure 10. Bottom Silkscreen**



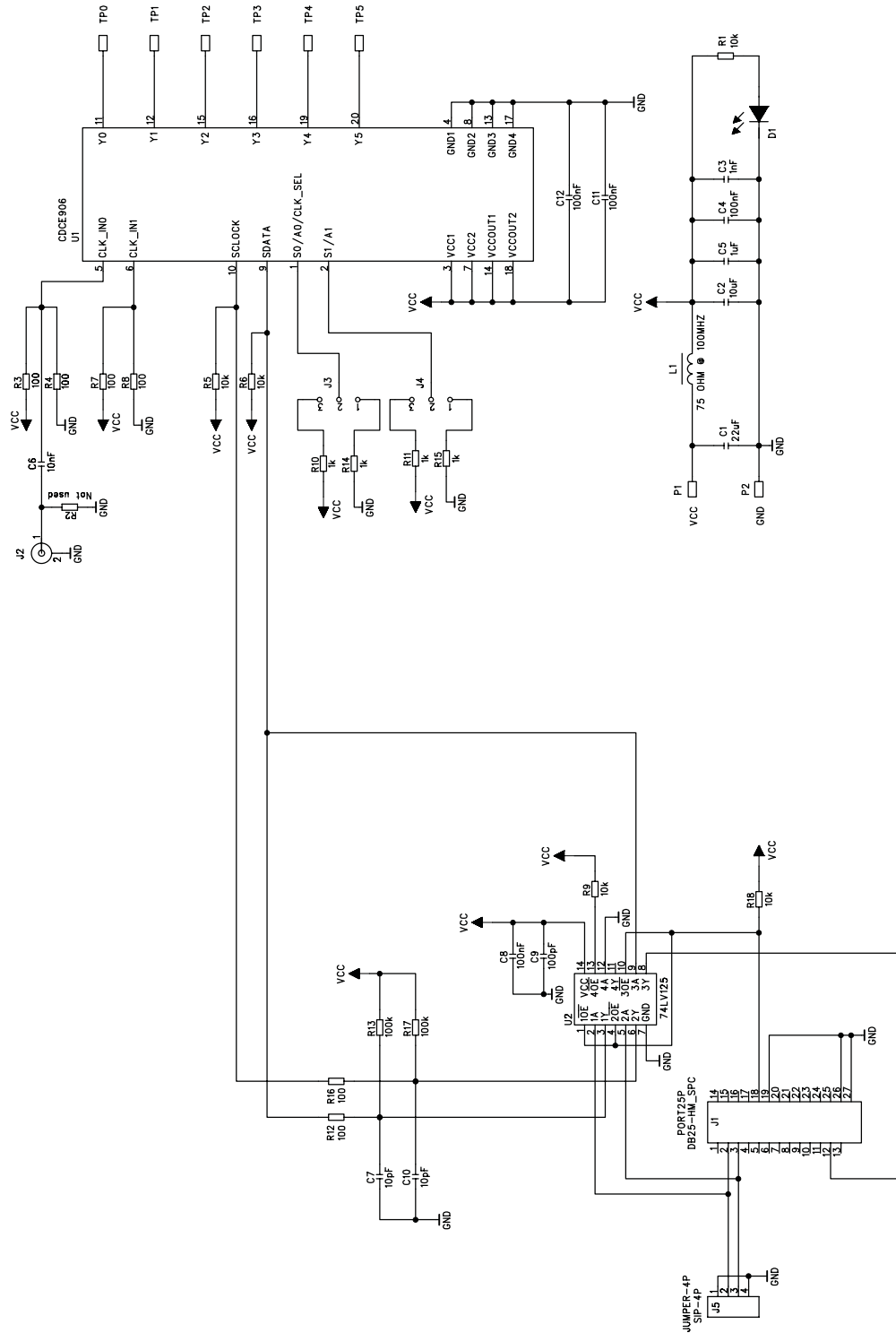


Figure 11. Schematic

## EVALUATION BOARD/KIT IMPORTANT NOTICE

Texas Instruments (TI) provides the enclosed product(s) under the following conditions:

This evaluation board/kit is intended for use for **ENGINEERING DEVELOPMENT, DEMONSTRATION, OR EVALUATION PURPOSES ONLY** and is not considered by TI to be a finished end-product fit for general consumer use. Persons handling the product(s) must have electronics training and observe good engineering practice standards. As such, the goods being provided are not intended to be complete in terms of required design-, marketing-, and/or manufacturing-related protective considerations, including product safety and environmental measures typically found in end products that incorporate such semiconductor components or circuit boards. This evaluation board/kit does not fall within the scope of the European Union directives regarding electromagnetic compatibility, restricted substances (RoHS), recycling (WEEE), FCC, CE or UL, and therefore may not meet the technical requirements of these directives or other related directives.

Should this evaluation board/kit not meet the specifications indicated in the User's Guide, the board/kit may be returned within 30 days from the date of delivery for a full refund. **THE FOREGOING WARRANTY IS THE EXCLUSIVE WARRANTY MADE BY SELLER TO BUYER AND IS IN LIEU OF ALL OTHER WARRANTIES, EXPRESSED, IMPLIED, OR STATUTORY, INCLUDING ANY WARRANTY OF MERCHANTABILITY OR FITNESS FOR ANY PARTICULAR PURPOSE.**

The user assumes all responsibility and liability for proper and safe handling of the goods. Further, the user indemnifies TI from all claims arising from the handling or use of the goods. Due to the open construction of the product, it is the user's responsibility to take any and all appropriate precautions with regard to electrostatic discharge.

**EXCEPT TO THE EXTENT OF THE INDEMNITY SET FORTH ABOVE, NEITHER PARTY SHALL BE LIABLE TO THE OTHER FOR ANY INDIRECT, SPECIAL, INCIDENTAL, OR CONSEQUENTIAL DAMAGES.**

TI currently deals with a variety of customers for products, and therefore our arrangement with the user **is not exclusive.**

TI assumes **no liability for applications assistance, customer product design, software performance, or infringement of patents or services described herein.**

Please read the User's Guide and, specifically, the Warnings and Restrictions notice in the User's Guide prior to handling the product. This notice contains important safety information about temperatures and voltages. For additional information on TI's environmental and/or safety programs, please contact the TI application engineer or visit [www.ti.com/esh](http://www.ti.com/esh).

No license is granted under any patent right or other intellectual property right of TI covering or relating to any machine, process, or combination in which such TI products or services might be or are used.

### FCC Warning

This evaluation board/kit is intended for use for **ENGINEERING DEVELOPMENT, DEMONSTRATION, OR EVALUATION PURPOSES ONLY** and is not considered by TI to be a finished end-product fit for general consumer use. It generates, uses, and can radiate radio frequency energy and has not been tested for compliance with the limits of computing devices pursuant to part 15 of FCC rules, which are designed to provide reasonable protection against radio frequency interference. Operation of this equipment in other environments may cause interference with radio communications, in which case the user at his own expense will be required to take whatever measures may be required to correct this interference.

### EVM WARNINGS AND RESTRICTIONS

It is important to operate this EVM within the input voltage range of 3 V to 3.6 V and the output voltage range of 3 V to 3.6 V.

Exceeding the specified input range may cause unexpected operation and/or irreversible damage to the EVM. If there are questions concerning the input range, please contact a TI field representative prior to connecting the input power.

Applying loads outside of the specified output range may result in unintended operation and/or possible permanent damage to the EVM. Please consult the EVM User's Guide prior to connecting any load to the EVM output. If there is uncertainty as to the load specification, please contact a TI field representative.

During normal operation, some circuit components may have case temperatures greater than 85°C. The EVM is designed to operate properly with certain components above 85°C as long as the input and output ranges are maintained. These components include but are not limited to linear regulators, switching transistors, pass transistors, and current sense resistors. These types of devices can be identified using the EVM schematic located in the EVM User's Guide. When placing measurement probes near these devices during operation, please be aware that these devices may be very warm to the touch.

Mailing Address: Texas Instruments, Post Office Box 655303, Dallas, Texas 75265  
Copyright © 2006-2007, Texas Instruments Incorporated

## IMPORTANT NOTICE

Texas Instruments Incorporated and its subsidiaries (TI) reserve the right to make corrections, modifications, enhancements, improvements, and other changes to its products and services at any time and to discontinue any product or service without notice. Customers should obtain the latest relevant information before placing orders and should verify that such information is current and complete. All products are sold subject to TI's terms and conditions of sale supplied at the time of order acknowledgment.

TI warrants performance of its hardware products to the specifications applicable at the time of sale in accordance with TI's standard warranty. Testing and other quality control techniques are used to the extent TI deems necessary to support this warranty. Except where mandated by government requirements, testing of all parameters of each product is not necessarily performed.

TI assumes no liability for applications assistance or customer product design. Customers are responsible for their products and applications using TI components. To minimize the risks associated with customer products and applications, customers should provide adequate design and operating safeguards.

TI does not warrant or represent that any license, either express or implied, is granted under any TI patent right, copyright, mask work right, or other TI intellectual property right relating to any combination, machine, or process in which TI products or services are used. Information published by TI regarding third-party products or services does not constitute a license from TI to use such products or services or a warranty or endorsement thereof. Use of such information may require a license from a third party under the patents or other intellectual property of the third party, or a license from TI under the patents or other intellectual property of TI.

Reproduction of TI information in TI data books or data sheets is permissible only if reproduction is without alteration and is accompanied by all associated warranties, conditions, limitations, and notices. Reproduction of this information with alteration is an unfair and deceptive business practice. TI is not responsible or liable for such altered documentation. Information of third parties may be subject to additional restrictions.

Resale of TI products or services with statements different from or beyond the parameters stated by TI for that product or service voids all express and any implied warranties for the associated TI product or service and is an unfair and deceptive business practice. TI is not responsible or liable for any such statements.

TI products are not authorized for use in safety-critical applications (such as life support) where a failure of the TI product would reasonably be expected to cause severe personal injury or death, unless officers of the parties have executed an agreement specifically governing such use. Buyers represent that they have all necessary expertise in the safety and regulatory ramifications of their applications, and acknowledge and agree that they are solely responsible for all legal, regulatory and safety-related requirements concerning their products and any use of TI products in such safety-critical applications, notwithstanding any applications-related information or support that may be provided by TI. Further, Buyers must fully indemnify TI and its representatives against any damages arising out of the use of TI products in such safety-critical applications.

TI products are neither designed nor intended for use in military/aerospace applications or environments unless the TI products are specifically designated by TI as military-grade or "enhanced plastic." Only products designated by TI as military-grade meet military specifications. Buyers acknowledge and agree that any such use of TI products which TI has not designated as military-grade is solely at the Buyer's risk, and that they are solely responsible for compliance with all legal and regulatory requirements in connection with such use.

TI products are neither designed nor intended for use in automotive applications or environments unless the specific TI products are designated by TI as compliant with ISO/TS 16949 requirements. Buyers acknowledge and agree that, if they use any non-designated products in automotive applications, TI will not be responsible for any failure to meet such requirements.

Following are URLs where you can obtain information on other Texas Instruments products and application solutions:

<b>Products</b>		<b>Applications</b>	
Amplifiers	<a href="http://amplifier.ti.com">amplifier.ti.com</a>	Audio	<a href="http://www.ti.com/audio">www.ti.com/audio</a>
Data Converters	<a href="http://dataconverter.ti.com">dataconverter.ti.com</a>	Automotive	<a href="http://www.ti.com/automotive">www.ti.com/automotive</a>
DSP	<a href="http://dsp.ti.com">dsp.ti.com</a>	Broadband	<a href="http://www.ti.com/broadband">www.ti.com/broadband</a>
Interface	<a href="http://interface.ti.com">interface.ti.com</a>	Digital Control	<a href="http://www.ti.com/digitalcontrol">www.ti.com/digitalcontrol</a>
Logic	<a href="http://logic.ti.com">logic.ti.com</a>	Military	<a href="http://www.ti.com/military">www.ti.com/military</a>
Power Mgmt	<a href="http://power.ti.com">power.ti.com</a>	Optical Networking	<a href="http://www.ti.com/opticalnetwork">www.ti.com/opticalnetwork</a>
Microcontrollers	<a href="http://microcontroller.ti.com">microcontroller.ti.com</a>	Security	<a href="http://www.ti.com/security">www.ti.com/security</a>
RFID	<a href="http://www.ti-rfid.com">www.ti-rfid.com</a>	Telephony	<a href="http://www.ti.com/telephony">www.ti.com/telephony</a>
Low Power Wireless	<a href="http://www.ti.com/lpw">www.ti.com/lpw</a>	Video & Imaging	<a href="http://www.ti.com/video">www.ti.com/video</a>
		Wireless	<a href="http://www.ti.com/wireless">www.ti.com/wireless</a>

Mailing Address: Texas Instruments, Post Office Box 655303, Dallas, Texas 75265  
Copyright © 2007, Texas Instruments Incorporated